



Solid State Relay  
OCMOS FET

# PS7141-1A, PS7141L-1A

6-PIN DIP, 400V BREAK DOWN VOLTAGE  
1-ch Optical Coupled MOS FET

## DESCRIPTION

The PS7141-1A and PS7141L-1A are solid state relays containing GaAs LEDs on the light emitting side (input side) and MOS FETs on the output side.

They are suitable for analog signal control because of their low offset and high linearity.

The PS7141L-1A has a surface mount type lead.

## FEATURES

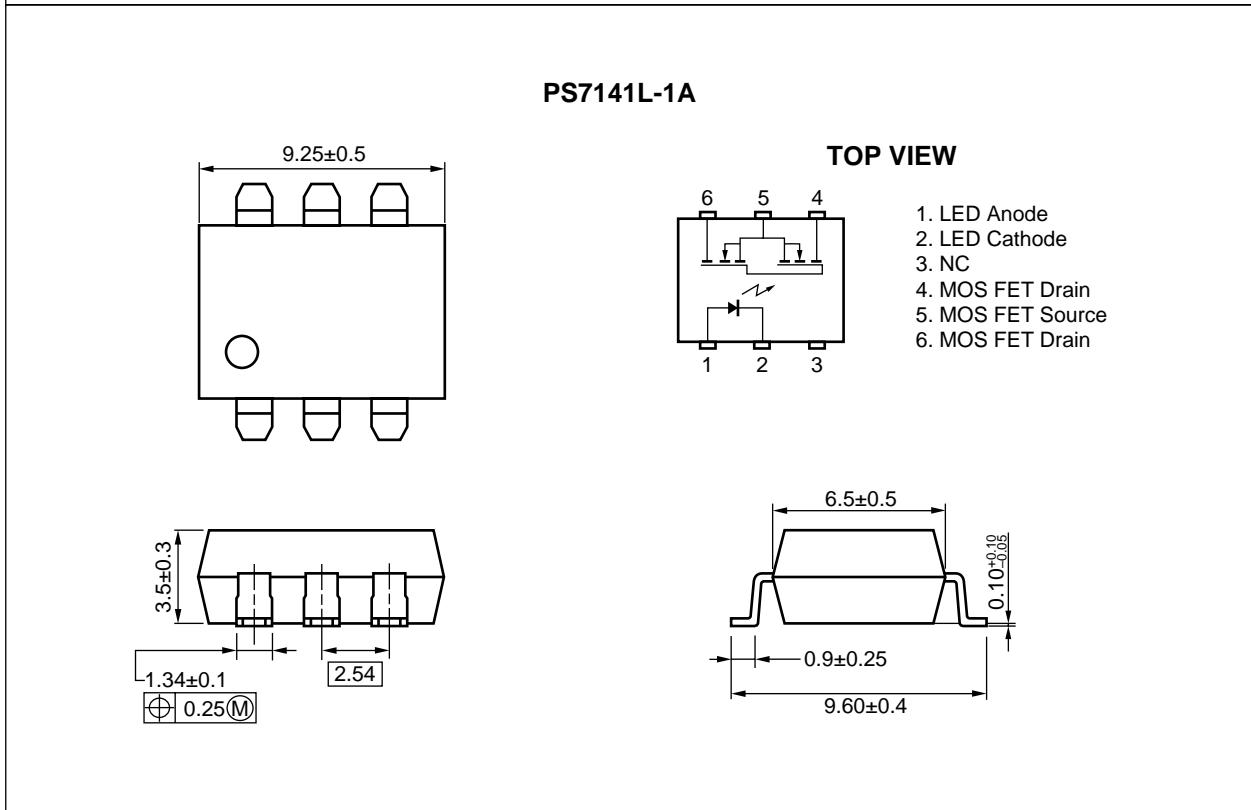
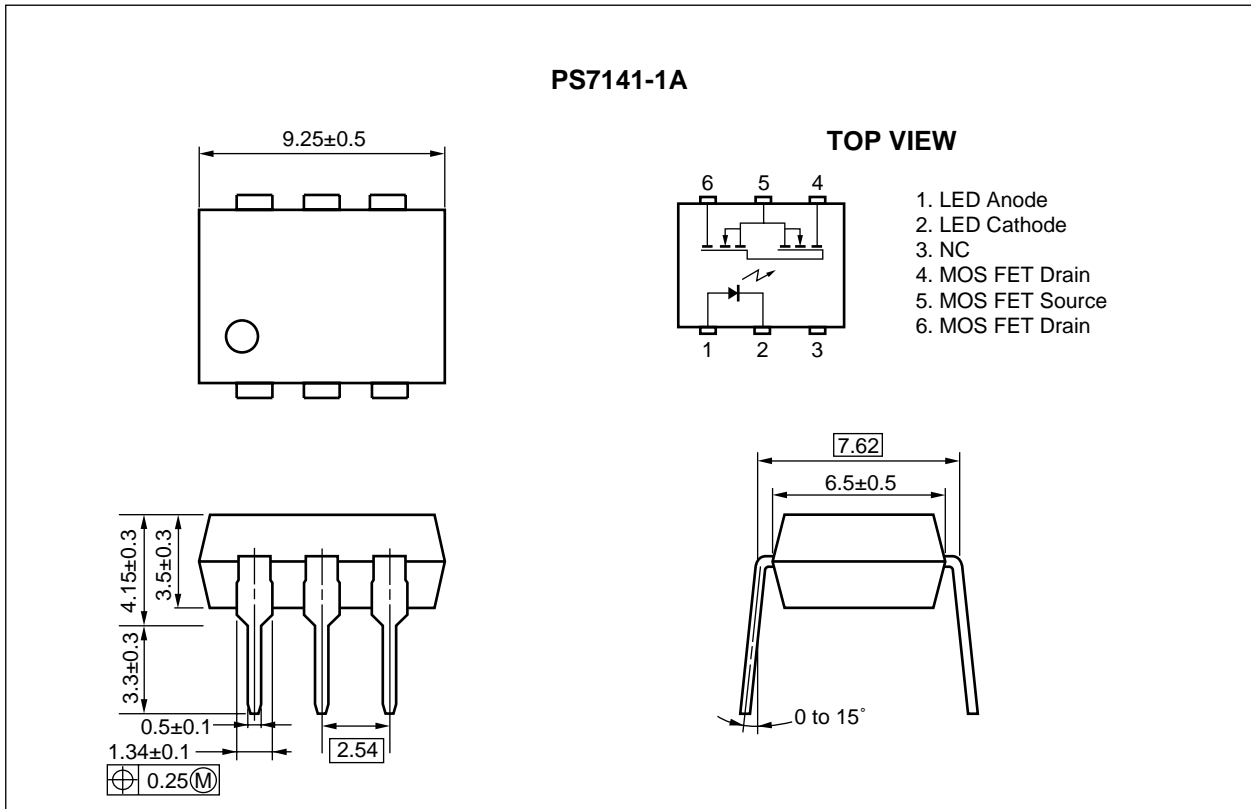
- 1 channel type (1 a output)
- Low LED operating current ( $I_F = 2 \text{ mA}$ )
- Designed for AC/DC switching line changer
- Small package (6-pin DIP)
- Low offset voltage
- PS7141L-1A: Surface mount type
- UL approved: File No. E72422 (S)
- BSI approved: No. 8245/8246
- CSA approved: No. CA 101391

## APPLICATIONS

- Exchange equipment
- Measurement equipment
- FA/OA equipment

The information in this document is subject to change without notice. Before using this document, please confirm that this is the latest version.

PACKAGE DIMENSIONS (in millimeters)



**ORDERING INFORMATION (Solder Contains Lead)**

| Part Number   | Package   | Packing Style                | Application Part Number *1 |
|---------------|-----------|------------------------------|----------------------------|
| PS7141-1A     | 6-pin DIP | Magazine case 50 pcs         | PS7141-1A                  |
| PS7141L-1A    |           |                              | PS7141L-1A                 |
| PS7141L-1A-E3 |           | Embossed Tape 1 000 pcs/reel |                            |
| PS7141L-1A-E4 |           |                              |                            |

\*1 For the application of the Safety Standard, following part number should be used.

**ORDERING INFORMATION (Pb-Free)**

| Part Number     | Package   | Packing Style                | Application Part Number *1 |
|-----------------|-----------|------------------------------|----------------------------|
| PS7141-1A-A     | 6-pin DIP | Magazine case 50 pcs         | PS7141-1A                  |
| PS7141L-1A-A    |           |                              | PS7141L-1A                 |
| PS7141L-1A-E3-A |           | Embossed Tape 1 000 pcs/reel |                            |
| PS7141L-1A-E4-A |           |                              |                            |

\*1 For the application of the Safety Standard, following part number should be used.

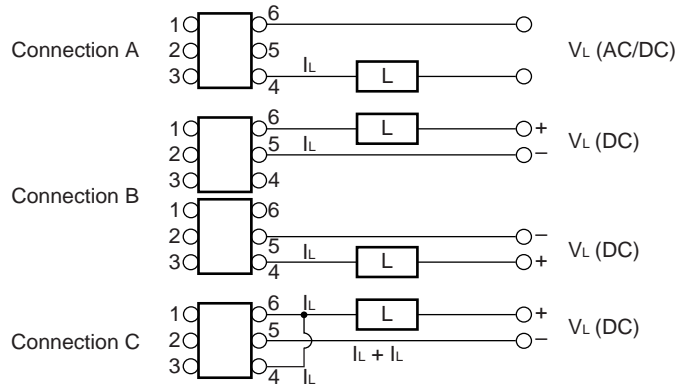
**ABSOLUTE MAXIMUM RATINGS (T<sub>A</sub> = 25 °C, unless otherwise specified)**

| Parameter                        |   | Symbol           | Ratings        | Unit    |    |
|----------------------------------|---|------------------|----------------|---------|----|
| Diode                            | Forward Current (DC)                                    | I <sub>F</sub>   | 50             | mA      |    |
|                                  | Reverse Voltage   | V <sub>R</sub>   | 5.0            | V       |    |
|                                  | Power Dissipation                                       | P <sub>D</sub>   | 50             | mW      |    |
|                                  | Peak Forward Current * <sup>1</sup>                     | I <sub>FP</sub>  | 1              | A       |    |
| MOS FET                          | Break Down Voltage                                      | V <sub>L</sub>   | 400            | V       |    |
|                                  | Continuous Load Current * <sup>2</sup>                  | Connection A     | I <sub>L</sub> | 150     | mA |
|                                  |   | Connection B     |                | 200     |    |
|                                  |   | Connection C     |                | 300     |    |
|                                  | Pulse Load Current * <sup>3</sup><br>(AC/DC Connection) | I <sub>LP</sub>  | 300            | mA      |    |
| Power Dissipation                | P <sub>D</sub>  | 560              | mW             |         |    |
| Isolation Voltage * <sup>4</sup> |   | BV               | 1 500          | Vr.m.s. |    |
| Total Power Dissipation          |   | P <sub>T</sub>   | 610            | mW      |    |
| Operating Ambient Temperature    |   | T <sub>A</sub>   | -40 to +85     | °C      |    |
| Storage Temperature              |   | T <sub>stg</sub> | -40 to +100    | °C      |    |

★

\*1 PW = 100 μs, Duty Cycle = 1 %

\*2 Conditions: I<sub>F</sub> ≥ 2 mA. The following types of load connections are available.



\*3 PW = 100 ms, 1 shot

\*4 AC voltage for 1 minute at T<sub>A</sub> = 25 °C, RH = 60 % between input and output

**RECOMMENDED OPERATING CONDITIONS (T<sub>A</sub> = 25 °C)**

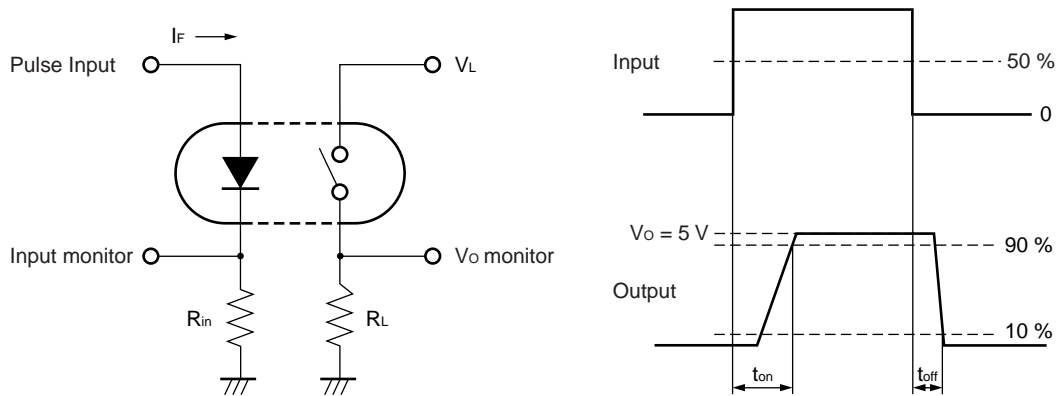
| Parameter             | Symbol         | MIN. | TYP. | MAX. | Unit |
|-----------------------|----------------|------|------|------|------|
| LED Operating Current | I <sub>F</sub> | 2    | 10   | 20   | mA   |
| LED Off Voltage       | V <sub>F</sub> | 0    |      | 0.5  | V    |

**ELECTRICAL CHARACTERISTICS (T<sub>A</sub> = 25 °C)**

| Parameter |                           | Symbol            | Conditions   | MIN.            | TYP. | MAX. | Unit |
|-----------|---------------------------|-------------------|--|-----------------|------|------|------|
| Diode     | Forward Voltage           | V <sub>F</sub>    | I <sub>F</sub> = 10 mA   |                 | 1.2  | 1.4  | V    |
|           | Reverse Current           | I <sub>R</sub>    | V <sub>R</sub> = 5 V   |                 |      | 5.0  | μA   |
| MOS FET   | Off-state Leakage Current | I <sub>Loff</sub> | V <sub>D</sub> = 400 V   |                 | 0.03 | 1.0  | μA   |
|           | Output Capacitance        | C <sub>out</sub>  | V <sub>D</sub> = 0 V, f = 1 MHz  |                 | 65   |      | pF   |
| Coupled   | LED On-state Current      | I <sub>Fon</sub>  | I <sub>L</sub> = 150 mA  |                 |      | 2.0  | mA   |
|           | On-state Resistance       | R <sub>on1</sub>  | I <sub>F</sub> = 10 mA, I <sub>L</sub> = 10 mA                                       |                 | 20   | 30   | Ω    |
|           |                           | R <sub>on2</sub>  | I <sub>F</sub> = 10 mA, I <sub>L</sub> = 150 mA, t ≤ 10 ms                           |                 | 16   | 25   |      |
|           | Turn-on Time *1           | t <sub>on</sub>   | I <sub>F</sub> = 10 mA, V <sub>O</sub> = 5 V, R <sub>L</sub> = 1.5 kΩ,<br>PW ≥ 10 ms |                 | 0.35 | 1.0  | ms   |
|           | Turn-off Time *1          | t <sub>off</sub>  |  |                 | 0.06 | 0.2  |      |
|           | Isolation Resistance      | R <sub>I-O</sub>  | V <sub>I-O</sub> = 1.0 kVdc  | 10 <sup>9</sup> |      |      | Ω    |
|           | Isolation Capacitance     | C <sub>I-O</sub>  | V = 0 V, f = 1 MHz   |                 | 1.1  |      | pF   |

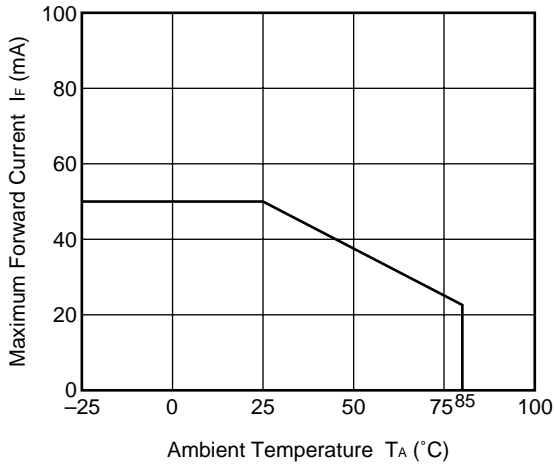
★

\*1 Test Circuit for Switching Time

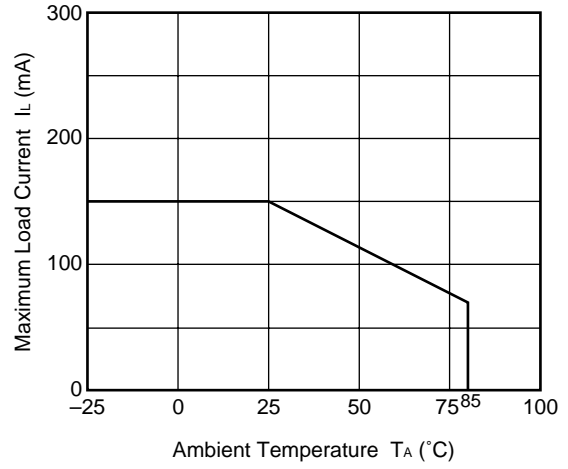


★ TYPICAL CHARACTERISTICS ( $T_A = 25\text{ }^\circ\text{C}$ , unless otherwise specified)

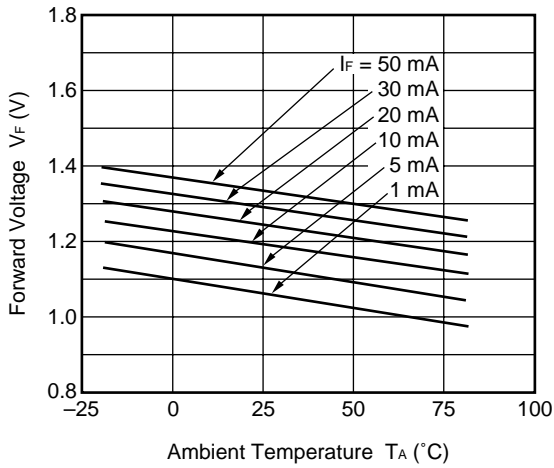
MAXIMUM FORWARD CURRENT vs. AMBIENT TEMPERATURE



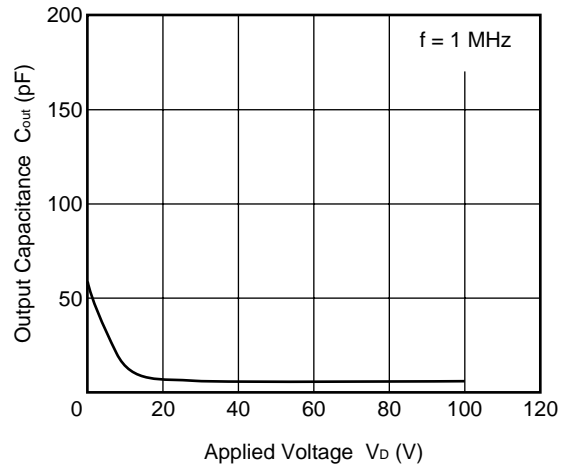
MAXIMUM LOAD CURRENT vs. AMBIENT TEMPERATURE



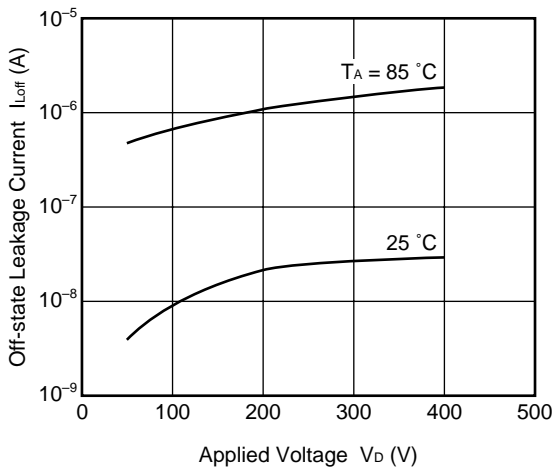
FORWARD VOLTAGE vs. AMBIENT TEMPERATURE



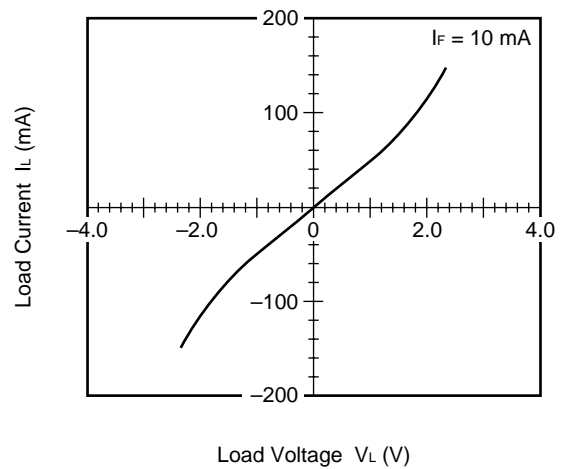
OUTPUT CAPACITANCE vs. APPLIED VOLTAGE



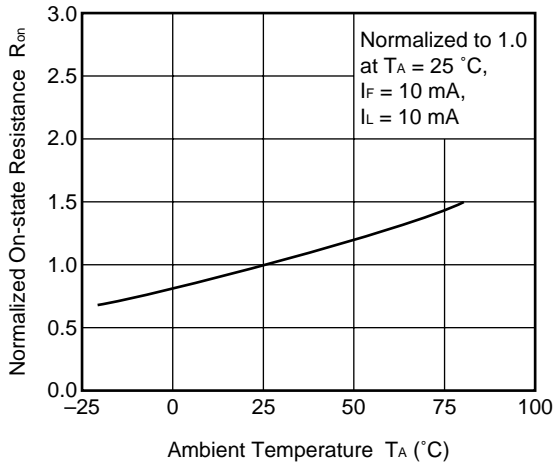
OFF-STATE LEAKAGE CURRENT vs. APPLIED VOLTAGE



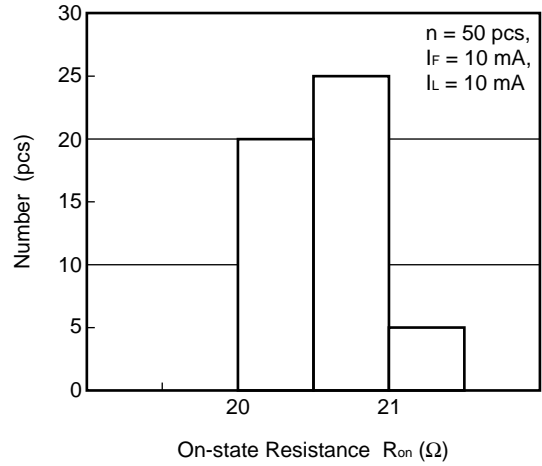
LOAD CURRENT vs. LOAD VOLTAGE



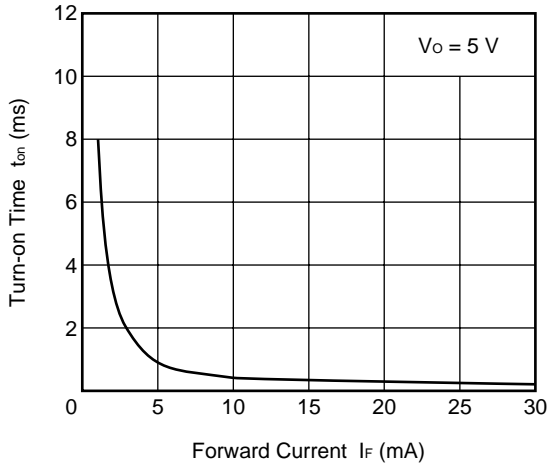
NORMALIZED ON-STATE RESISTANCE vs. AMBIENT TEMPERATURE



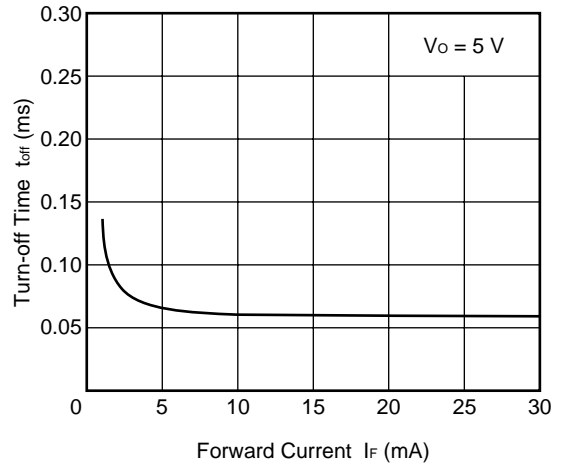
ON-STATE RESISTANCE DISTRIBUTION



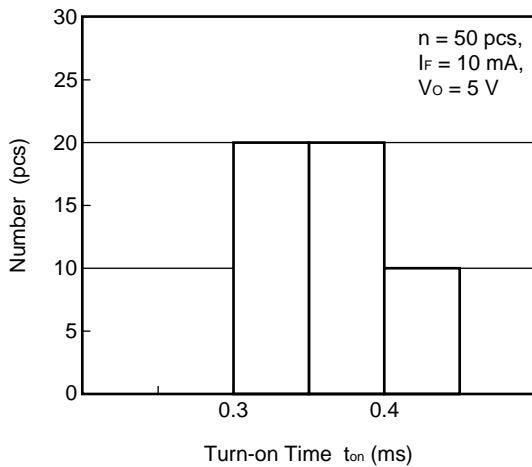
TURN-ON TIME vs. FORWARD CURRENT



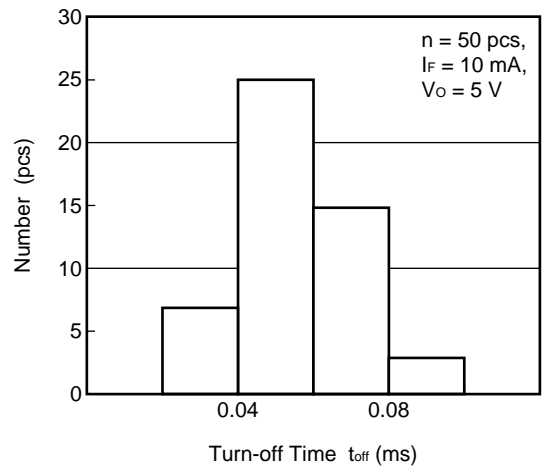
TURN-OFF TIME vs. FORWARD CURRENT



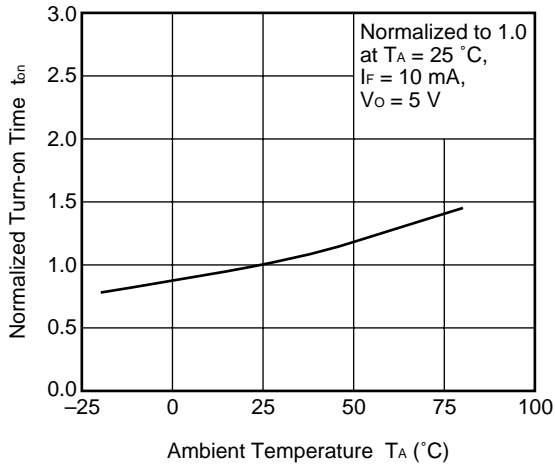
TURN-ON TIME DISTRIBUTION



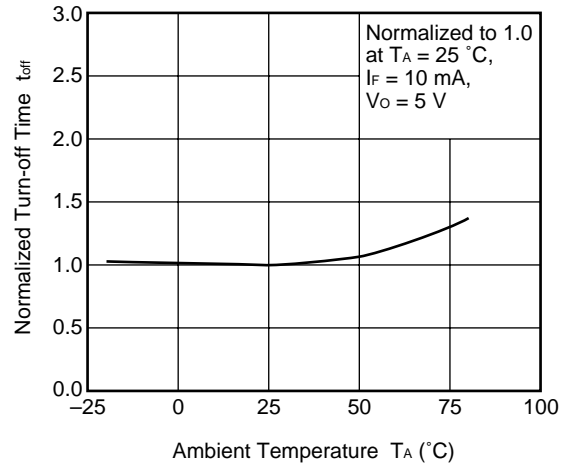
TURN-OFF TIME DISTRIBUTION



NORMALIZED TURN-ON TIME vs. AMBIENT TEMPERATURE



NORMALIZED TURN-OFF TIME vs. AMBIENT TEMPERATURE



**Remark** The graphs indicate nominal characteristics.



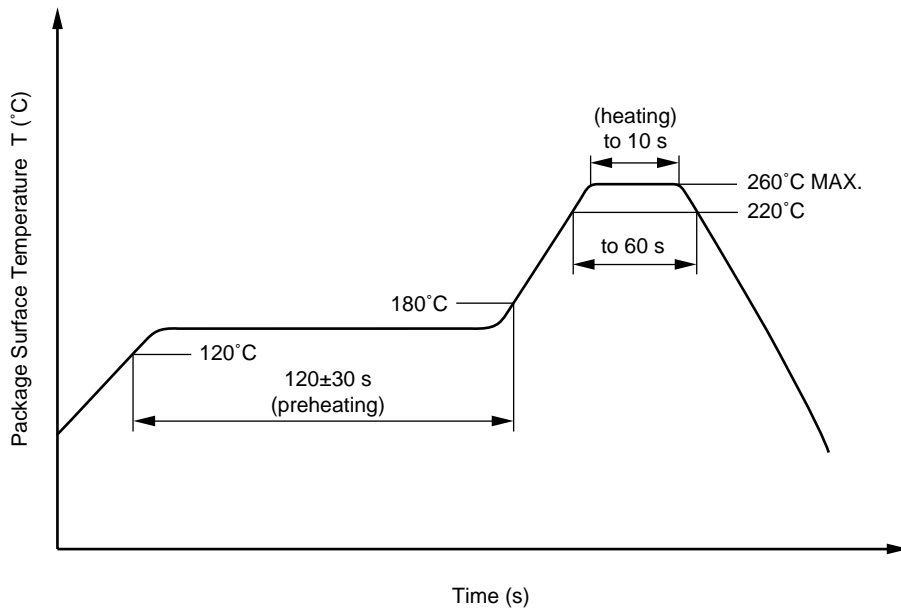


★ **RECOMMENDED SOLDERING CONDITIONS**

**(1) Infrared reflow soldering**

- Peak reflow temperature 260°C or below (package surface temperature)
- Time of peak reflow temperature 10 seconds or less
- Time of temperature higher than 220°C 60 seconds or less
- Time to preheat temperature from 120 to 180°C 120±30 s
- Number of reflows Three
- Flux Rosin flux containing small amount of chlorine (The flux with a maximum chlorine content of 0.2 Wt% is recommended.)

Recommended Temperature Profile of Infrared Reflow



**(2) Wave soldering**

- Temperature 260°C or below (molten solder temperature)
- Time 10 seconds or less
- Preheating conditions 120°C or below (package surface temperature)
- Number of times One
- Flux Rosin flux containing small amount of chlorine (The flux with a maximum chlorine content of 0.2 Wt% is recommended.)

**(3) Cautions**

- Fluxes  
Avoid removing the residual flux with freon-based and chlorine-based cleaning solvent.

Subject: Compliance with EU Directives

CEL certifies, to its knowledge, that semiconductor and laser products detailed below are compliant with the requirements of European Union (EU) Directive 2002/95/EC Restriction on Use of Hazardous Substances in electrical and electronic equipment (RoHS) and the requirements of EU Directive 2003/11/EC Restriction on Penta and Octa BDE.

CEL Pb-free products have the same base part number with a suffix added. The suffix –A indicates that the device is Pb-free. The –AZ suffix is used to designate devices containing Pb which are exempted from the requirement of RoHS directive (\*). In all cases the devices have Pb-free terminals. All devices with these suffixes meet the requirements of the RoHS directive.

This status is based on CEL’s understanding of the EU Directives and knowledge of the materials that go into its products as of the date of disclosure of this information.

| Restricted Substance per RoHS | Concentration Limit per RoHS (values are not yet fixed) | Concentration contained in CEL devices |     |
|-------------------------------|---|--|-----|
|                               |   | -A                                     | -AZ |
| Lead (Pb)                     | < 1000 PPM  | Not Detected                           | (*) |
| Mercury                       | < 1000 PPM  | Not Detected                           |     |
| Cadmium                       | < 100 PPM   | Not Detected                           |     |
| Hexavalent Chromium           | < 1000 PPM  | Not Detected                           |     |
| PBB                           | < 1000 PPM  | Not Detected                           |     |
| PBDE                          | < 1000 PPM  | Not Detected                           |     |

If you should have any additional questions regarding our devices and compliance to environmental standards, please do not hesitate to contact your local representative.

**Important Information and Disclaimer:** Information provided by CEL on its website or in other communications concerning the substance content of its products represents knowledge and belief as of the date that it is provided. CEL bases its knowledge and belief on information provided by third parties and makes no representation or warranty as to the accuracy of such information. Efforts are underway to better integrate information from third parties. CEL has taken and continues to take reasonable steps to provide representative and accurate information but may not have conducted destructive testing or chemical analysis on incoming materials and chemicals. CEL and CEL suppliers consider certain information to be proprietary, and thus CAS numbers and other limited information may not be available for release.

In no event shall CEL’s liability arising out of such information exceed the total purchase price of the CEL part(s) at issue sold by CEL to customer on an annual basis.

See CEL Terms and Conditions for additional clarification of warranties and liability.